

DM 016

Digital output board

The digital output board DM 016 of the Compact PLC range provides 16 digital outputs.

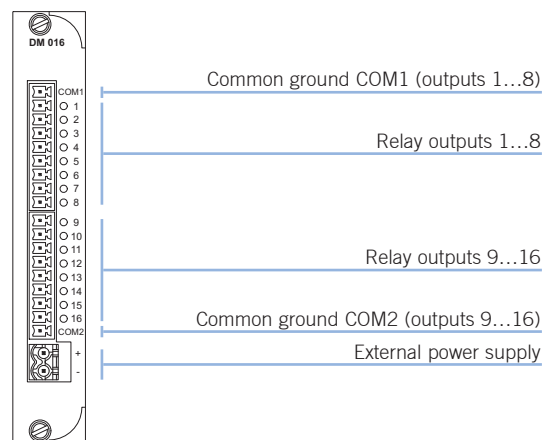
Features

- **16 outputs**
16 potential free relay outputs (in two groups, each 8 outputs) with a common ground COM1 resp. COM2.
- **Status display**
Status display per output with red LEDs



DM 016

Operating and display elements



Technical data

Relay outputs

Switching voltage: max. 40 V
Switching current: 10 mA...500 mA DC
10 mA...300 mA AC
Switching cycles: 1 000 000...20 000 000

Power consumption

max. 30 mA at +5 V

External power supply

Voltage range: 18 V...36 V DC
Power consumption: 140 mA...260 mA
Protection: multi fuse

Mechanical data

Dimensions front panel: 120 x 20 mm
Slots required: 1
Weight: 150 g

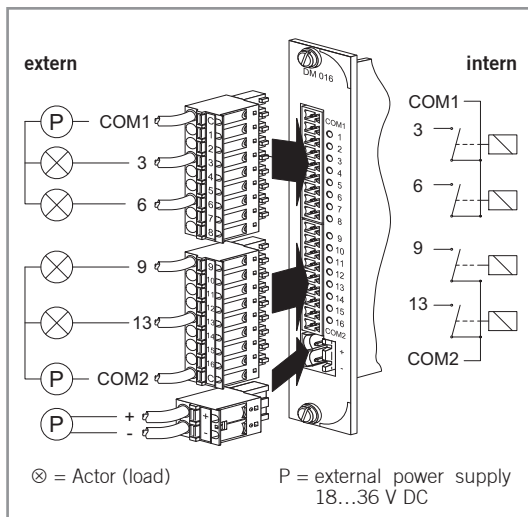
Temperature/protection

Storage temperature: -25 °C...+70 °C
(-13 °F...+158 °F)
Operating temperature: 0 °C...+55 °C
(32 °F...+131 °F)
Protective system: IP 20

EMC

Emitted Interference: DIN EN 55022
DIN EN 61000-6-4
Interference resistance: DIN EN 61000-6-2
Security: DIN EN 60950-1

Connection diagram



Connections (plugs)

Connection via spring-type terminal blocks.

Spring-type terminal block 9pole:

Conductor size 0.14 to 1.5 mm² (stranded or solid) or stranded with ferrule 0.25 to 1.5 mm², stripping length 8 mm.

Spring-type terminal block 2pole:

Conductor size 0.2 to 2.5 mm² (stranded or solid) or stranded with ferrule 0.25 to 2.5 mm², stripping length 10 mm.

Scope of delivery

Art. No. BGC04110

- 1 digital board DM 016
- 2 spring-type terminal blocks 9pole
- 1 spring-type terminal block 2pole

Accessories

Art. No. BGC24110

- 2 spring-type terminal blocks 9pole
- 1 spring-type terminal block 2pole