

# CR 8/CR 16

## Compact racks

The Compact racks CR 8 and CR 16 provide the basic module of your Compact PLC system. With 8 or 16 freely available slots they provide sufficient space for small and large control systems. A fixed slot is assigned for the power supply board PS 40.

By using the de-centralization board and depending on which PLC CPU and SECOM controller is used an extension of the control system by using additional racks can always be realized.

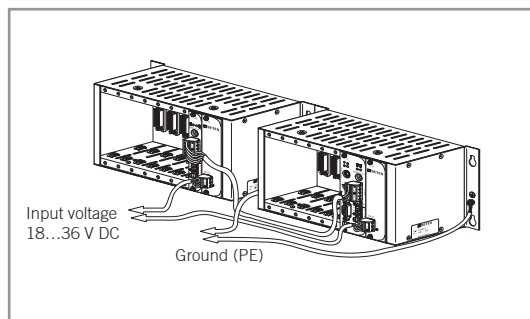
The multitude of available boards allows for an excellent adaptation of the COMPACT series to the particular machine type.



Compact racks

## Networking and connections

### Expansion CR 8



## Technical data

### CR 8

Dimensions (W x H x D): 251 x 122 x 122 mm  
Number of slots: 8 + 1 power supply  
Weight: 1300 g

### CR 16

Dimensions (W x H x D): 411 x 122 x 122 mm  
Number of slots: 16 + 1 power supply  
Weight: 2100 g

### Depth CR 8 and CR 16

with connector and boards: max. 167 mm

### Protection

Protective system: IP 30

## Scope of delivery

### Art. no. BGC01000

1 Compact housing CR 8

### Art. no. BGC01020

1 Compact housing CR 16

## Accessories

### Art. no. BGC01100

1 slot cover

